

# EV-T2G3PC-3AC32A-5,0M6,0ESBK01 - AC charging cable



1627692

<https://www.phoenixcontact.com/sk/products/1627692>

Please be informed that the data shown in this PDF document is generated from our online catalog. Please find the complete data in the user documentation. Our general terms of use for downloads are valid.



CHARX connect comfort, Mobile AC charging cable, with vehicle charging connector and infrastructure charging plug, for charging electric vehicles (EV) with alternating current (AC) via type 2 vehicle charging inlets, with protective cap, Type 2, IEC 62196-2, 32 A / 480 V (AC), housing: black, gray, PHOENIX CONTACT logo, cable: 5 m, black, straight

## Product description

Mobile AC charging cable with vehicle charging connector and infrastructure charging plug for charging electric vehicles (EV) with alternating current (AC) via type 2 vehicle charging inlets, compatible with type 2 infrastructure charging sockets at charging stations for e-mobility (EVSE)

## Your advantages

- Complete product range
- Convenient handling due to the ergonomic, triple award-winning design
- Available with your logo on request – for consistent branding of your charging station
- Longitudinal water tightness reliably prevents water ingress
- Developed and produced in accordance with the IATF 16949 automotive standard and ISO 9001
- Tested in accordance with automotive standards LV124, LV214, and LV215-2
- Tested in accordance with EV Ready 37 requirements
- Laser-marked mating face in accordance with DIN EN 17186

## Commercial data

Item number	1627692
Packing unit	1 pc
Minimum order quantity	1 pc
Sales key	XWB
Product key	XWBAEC
Catalog page	Page 29 (C-7-2019)
GTIN	4063151785789
Weight per piece (including packing)	2,709 g
Weight per piece (excluding packing)	2,709 g
Customs tariff number	85444290
Country of origin	PL

# EV-T2G3PC-3AC32A-5,0M6,0ESBK01 - AC charging cable



1627692

<https://www.phoenixcontact.com/sk/products/1627692>

## Technical data

### Product properties

Product type	AC charging cable
Product family	CHARX connect comfort
Application	for charging electric vehicles (EV) with alternating current (AC) via type 2 vehicle charging inlets compatible with type 2 infrastructure charging sockets at charging stations for electromobility (EVSE)
Type	Mobile AC charging cable with vehicle charging connector and infrastructure charging plug
Design	with protective cap
Affixed logo	PHOENIX CONTACT logo
Charging mode	Mode 3, Case B
Charging standard	Type 2

### Electrical properties

Type of signal transmission	Pulse width modulation
Note on the connection method	Crimp connection, cannot be disconnected
Coding	220 $\Omega$ (between PE and PP)
Type of charging current	AC 3-phase
Charging power	26.6 kW
Charging current	32 A

### Power contact

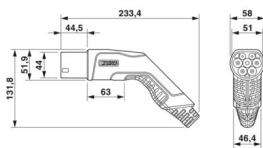
Number	5 (L1, L2, L3, N, PE)
Rated voltage	480 V AC
Rated current	32 A

### Signal contact

Number	2 (CP, PP)
Rated voltage	30 V AC
Rated current	2 A

## Dimensions

### Infrastructure charging plug

Dimensional drawing	 Infrastructure plug
Width	58 mm

# EV-T2G3PC-3AC32A-5,0M6,0ESBK01 - AC charging cable

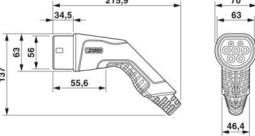


1627692

<https://www.phoenixcontact.com/sk/products/1627692>

Height	131.8 mm
Depth	233.4 mm

## Vehicle charging connector

Dimensional drawing	 <p>Vehicle connector</p>
Width	70 mm
Height	137 mm
Depth	215.9 mm

## Material specifications

Color (Housing)	black (9005)
Color (Handle area)	gray (7042)
Color (Mating face)	black (9005)
Color (Protective cap)	black (9005)
Color (Cable)	black (9005)
Material (Vehicle charging connector)	Plastic
Material (Cable outer sheath)	TPE-U
Material (Infrastructure charging plug)	Plastic
Material (Contact surface)	Silver

## Cable/line

Cable length	5 m
Wiring standards/regulations	prEN 50620/DIN EN 50620
Wiring certifications	VDE
Cable weight	max. 505.00 kg/km
Cable type	Class 5
Cable type	straight
Cable structure	5 x 4.0 mm <sup>2</sup> + 1 x 0.5 mm <sup>2</sup>
External cable diameter	14.20 mm ±0.3 mm
Outer sheath, material	TPE-U
Cable resistance	≤ 0.0033 Ω/m (based on a power core, at an ambient temperature of 20°C)
Bending radius	min. 127.5 mm (7.5x diameter)

## Mechanical properties

### Mechanical data

Insertion/withdrawal cycles	> 10000
Insertion force	< 100 N
Withdrawal force	< 100 N

# EV-T2G3PC-3AC32A-5,0M6,0ESBK01 - AC charging cable



1627692

<https://www.phoenixcontact.com/sk/products/1627692>

## Environmental and real-life conditions

### Ambient conditions

Degree of protection (Vehicle charging connector)	IP44 (plugged in; when plugged in and ready to operate, the degree of protection is only ensued if both plug-in components are original products from Phoenix Contact or suitable standard-compliant products)
Degree of protection (Infrastructure charging plug)	IP44 (plugged in; when plugged in and ready to operate, the degree of protection is only ensued if both plug-in components are original products from Phoenix Contact or suitable standard-compliant products)
Degree of protection (Protective cap)	IP54
Ambient temperature (operation)	-40 °C ... 50 °C
Ambient temperature (storage/transport)	-40 °C ... 80 °C
Altitude	5000 m (above sea level)

## Standards and regulations

### Standards

Standards/regulations	IEC 62196-2
-----------------------	-------------

Phoenix Contact 2024 © - all rights reserved  
<https://www.phoenixcontact.com>

PHOENIX CONTACT s.r.o.  
Námestie Mateja Korvína 1  
811 07 Bratislava  
+421 2 3210 1470  
[obchod.sk@phoenixcontact.com](mailto:obchod.sk@phoenixcontact.com)